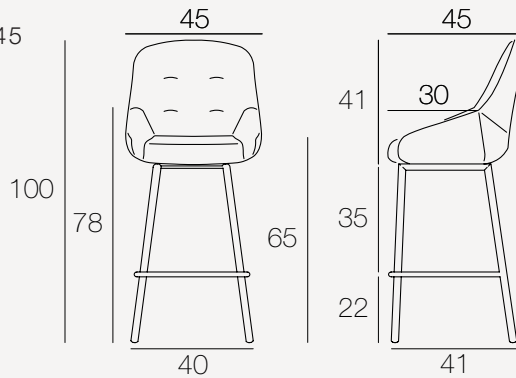


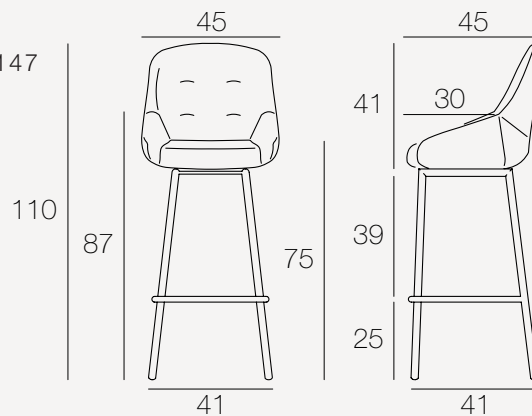
SAN FRANCISCO[®]



CH145



CH147



Unit : centimetre

REF :
CH145 / CH147

Version shown
CH145G2 / CH147M2

Category

Chair

Use

Interior

Model

CH145 / CH147 : Swivel seat

Product sold in sets of 2

FINISHES

Fabric :



Ocher yellow



Taupe



Gris



Charcoal

Base :



Matt black lacquered steel

TECHNICAL INFORMATION

Seat :

Seat swivels 90°

Light resistance : > 4

Density of foam padding : 25kg/m³

Fabric :

100% polyester fabric

Martindale : 60 000

Polyurethan (on the back)* :

Back 100% Polyurethan

Martindale : 60 000

*Compliance with the standard NF EN ISO 5981 according to the FCBA laboratory (Determination of the resistance of polyurethan to different tests)

Base :

Powder coated steel*

*Powder coating is a «dry» spraying technique that uses no solvents that are harmful to people or the environment. This technique complies with European REACH regulations, which control the use of chemicals in industry.

Net weight : CH145 : 8,35 kg

CH147 : 8,75 kg

Maximum supported weight : 120 kg

© Registered design (INPI : 20240816)


AKANTE[®]

www.akante.com

PACKAGING.....

CH145 (Size : 45 x 45 x h100-65 cm)

Number of packages (2 chairs per package)	Gross weight (product + packaging)	Package dimensions
1	19,2 kg	60 x 50 x 91 cm

CH147 (Size : 45 x 45 x h110-75 cm)

Number of packages (2 chairs per package)	Gross weight (product + packaging)	Package dimensions
1	20 kg	60 x 50 x 101 cm